

Cabin Air Filter Installation Guide

- Saturn (2000 - 2005)

FILTER PLACEMENT: **Engine Compartment**
QTY: **1**

Installation: (5 ~ 10 min.)



Easy



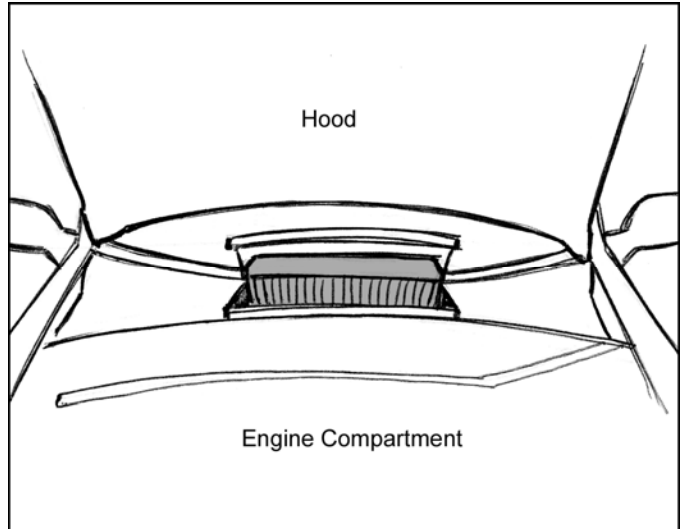
Moderate



Difficult



Professional



CAUTION

Ensure ignition switch is OFF before attempting to change the Cabin Air Filter!

INSTRUCTIONS:*

1. Open the hood.
2. Pull back the weather-strip from the cowl vent screen
3. Open the clips for the cabin air filter access panel housing.
4. Remove and replace the used cabin air filter with a new Pentius Cabin Air Filter.
5. Verify that the air flow arrows are in the correct direction if noted on filter.
6. Replace all components in the reverse order of removal.

* Note that Cabin Air filter replacement instructions may be representative for certain vehicles.