

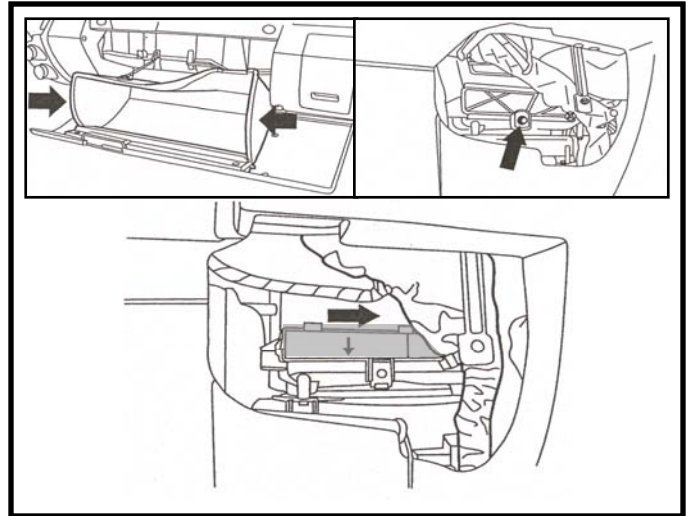
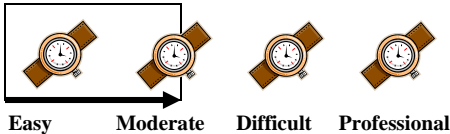
Cabin Air Filter Installation Guide

- Nissan Frontier (2005 -2011)
- Nissan Pathfinder (2005-2011)
- Nissan Xterra (2006-2009)
- Suzuki Equator (2009-2011)

FILTER PLACEMENT: **Behind Glove Box Compartment**

QTY : 2

Installation: (10 ~ 20 min.)



CAUTION

Ensure ignition switch is OFF before attempting to change the Cabin Air Filter!

INSTRUCTIONS:*

1. Open the glove box and press in on the side so that it will open completely allowing it to hang by the cord.
2. Remove the filter cover bolt and remove the filter cover.
3. Verify that the air flow arrows are in the correct direction if noted on filter.
4. Insert the first filter into housing and slide it over to the right.
5. Insert the second filter into housing.
6. Replace the filter cover.
6. Install the glove box.

* Note that Cabin Air filter replacement instructions may be representative for certain vehicles.