

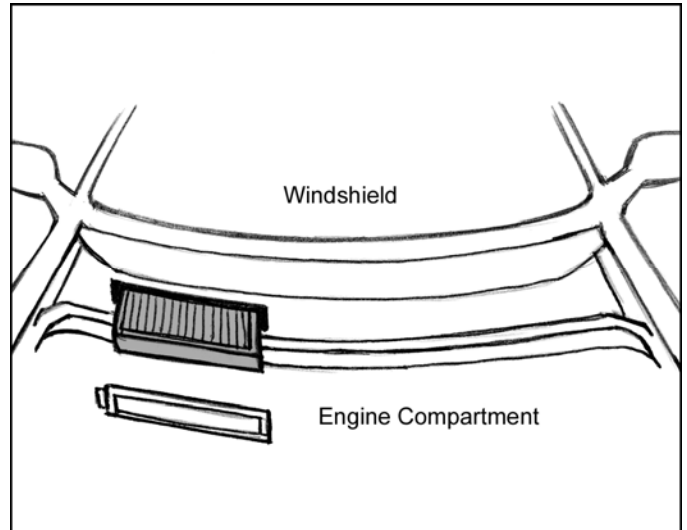
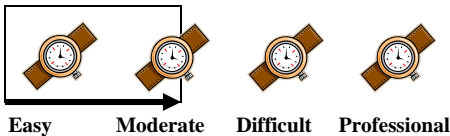
Cabin Air Filter Installation Guide

- Volkswagen Passat (1995 –1997)

FILTER PLACEMENT: **Engine Compartment
at the cowlng**

QTY: 1

Installation: (10 ~ 20 min.)



CAUTION

Ensure ignition switch is OFF before attempting to change the Cabin Air Filter!

INSTRUCTIONS:*

1. Open the hood and locate the cowlng..
2. Open the cabin air filter cover and housing by unsnapping the retainers.
3. Remove and replace the used cabin air filter with a new Pentius Cabin Air Filter.
4. Verify that the air flow arrows are in the correct direction if noted on filter.
5. Replace all components in the reverse order of removal.

* Note that Cabin Air filter replacement instructions may be representative for certain vehicles.